

Safety Benefits. The simple act of entering a tub through a door as opposed to climbing over a tub deck is the main safety benefit of the **Restore**. As we age, balance and agility can sometimes be a challenge. The **Restore** minimizes the risk of slipping and falling.



Health Benefits. The main health benefits of the **Restore** are possible because the tub allows you to immerse yourself and fully experience hydrotherapy. This helps relieve stress, soothes tired muscles, promotes healthy blood circulation and allows for more restful sleep. **Restore** helps improve mental and physical health.

OUTSTANDING PROTECTION

- 10-Year warranty on the shell
- 5-Year labor warranty on all factory installed components
- Lifetime warranty on the door seal

For a complete offering of Mansfield products, visit www.mansfieldplumbing.com



Mansfield Plumbing Products, LLC
p: 877.850.3060
f: 419.938.6231
custserv@mansfieldplumbing.com

LBRORESTORETRIFOLD 9/2013

SAFE & LUXURIOUS.



RESTORE

WALK-IN TUB



Walk-In tubs are an economical way to “Restore” safety and independence to your life.

Enter & Exit with Ease. The Restore is taller than a standard tub with a water-tight door. Because of its innovative design, even users with limited mobility are able to enter and exit easily.

Comfortable Seating. A sculpted seat allows the bather to remain in an upright position while being immersed in water. The 17” high, ADA seat makes it even easier to get in and out of the tub.



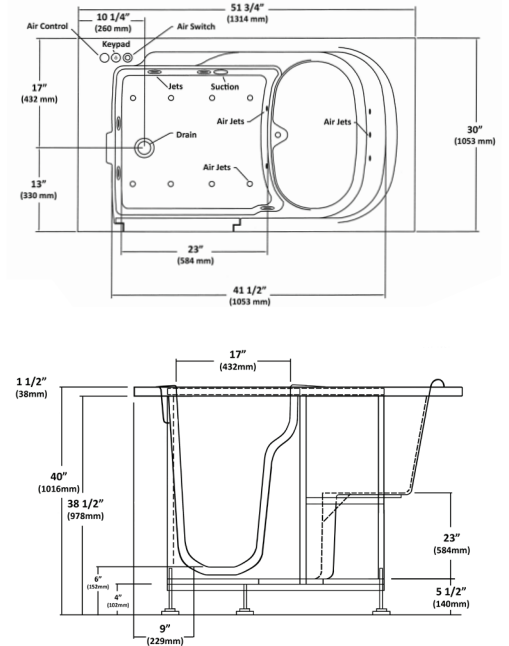
RESTORE

WALK-IN TUB

Right-hand drain shown.
Also available in left-hand drain.



51-1/2" x 30" x 40" Walk-In Tub



Discover the true pleasure of safety, luxury and relaxation with the RESTORE from Mansfield.



Rich, High Gloss Finish & Slip Resistant Floor

Double layered, hand applied gel coat finish is polished and sealed to a long-lasting luster. Floor is finished with a slip resistant texture for added traction.



Adjustable One-Inch Steel Frame

Manufactured around a 1-inch square steel box, powder-coated frame. Stronger and less susceptible to temperature expansion than aluminum. Adjustable feet ensure perfect installation, even on un-level floors.



Sized for Easy Remodeling & Access

Fits through a standard 32" bathroom door. Small enough to maneuver into position. Replaces a standard size tub with room to spare. Removable door and end panel allow complete access to plumbing.



Non-Rusting Door Hinge & Handle

Made of stainless steel. Will not weaken or discolor due to rust.



Lifetime Door Seal Guarantee

Inward swinging - uses the weight of the water to help prevent accidental opening while bathing. Resists corrosion. Guaranteed for life.



Easy Door Locking System

Dual locking mechanism insures a tight seal. Elongated handle provides bather with greater leverage when closing or opening the door.



Taller, Wider & Roomier

The large, contoured door opening provides plenty of space for entry and the 6" step is an easy low-exit point. The seat leaves plenty of room to stand up and shower on the slip resistant floor.

RESTORE SOAKING TUB (8310, 8210)

- Most economical
- Tall tub equipped with a water-tight door that allows you to enter effortlessly.
- Easy door locking system
- Non-rusting door hinge and handle
- Rich high-gloss finish and slip resistant floor

RESTORE AIR BATH (8510, 8410)

- 16 strategically placed jets fill the bathing well with gentle, effervescent bubbles.
- An automatic, 2-minute hygienic purge clears the air channel of any water starting 20 minutes after the blower is shut off.
- Check valves prevent water from flowing back through the jets and into the air lines.
- Raised air button control allows user to activate it easily with any part of hand or arm; helpful for people with weak or arthritic fingers.
- 120V, 9 amps, 1.45 HP blower with a 600 watt heating element warms the air before it enters the bathing well.

RESTORE WHIRLPOOL BATH (8110, 8010)

- Five hydrotherapy jets send a targeted, rigorous massage to specific parts of the body. Jets are directionally adjustable and can be individually volume controlled from completely on to completely off.
- Jet can be adjusted with the air control knob. Increasing the air volume sends more air through the jet and creates a gentler massage.
- Inline heater maintains the water temperature and is standard on all whirlpools.
- Soft touch control button starts and stops on contact. Designed for people with limited dexterity like those suffering from arthritis.
- 120V, 9 amps, 1.45 HP motor with a 20-minute timer.

RESTORE COMBINATION BATH (8710, 8610)

- Combines the air and whirlpool jets in a single bath for the best of both worlds.